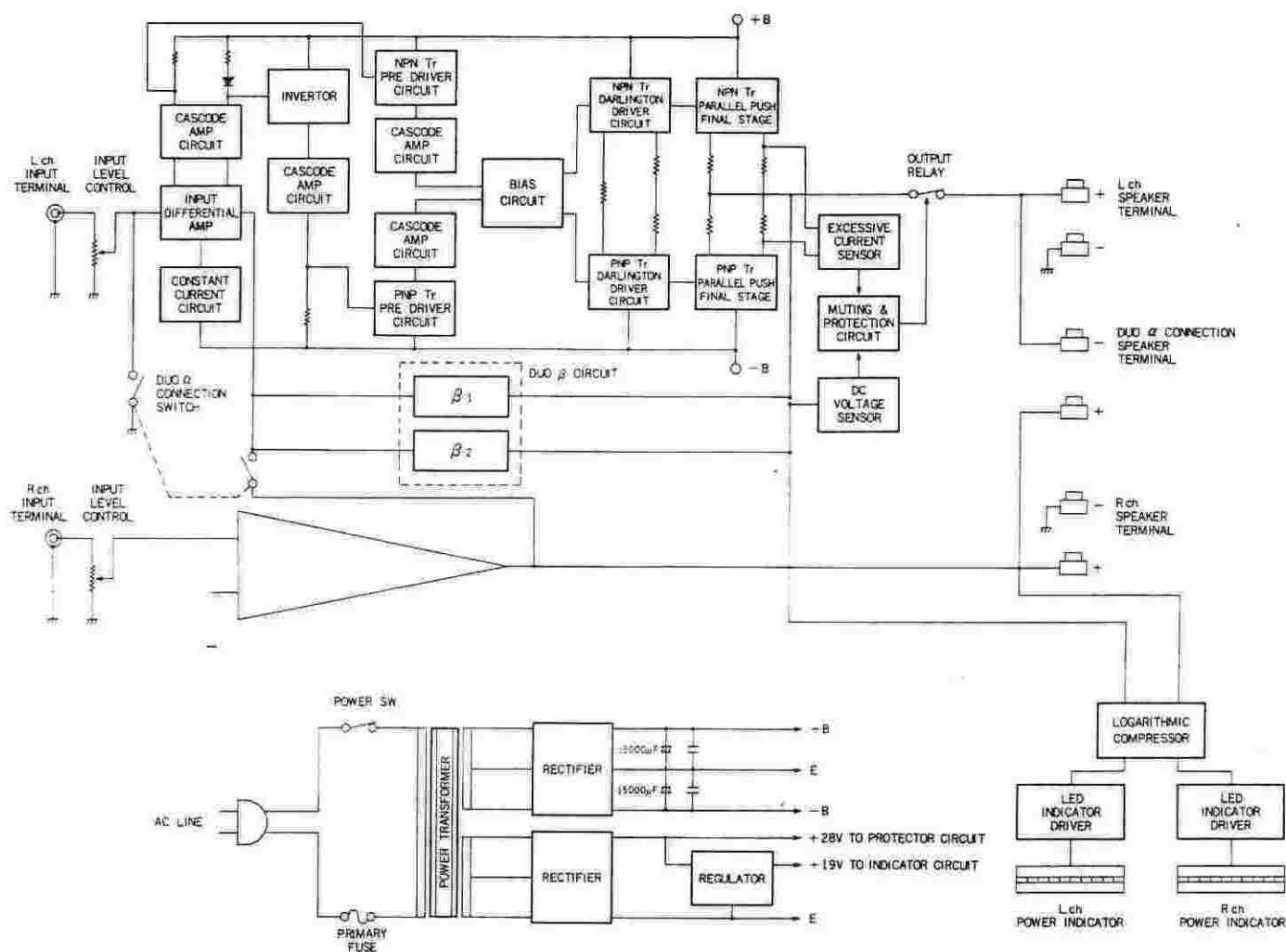


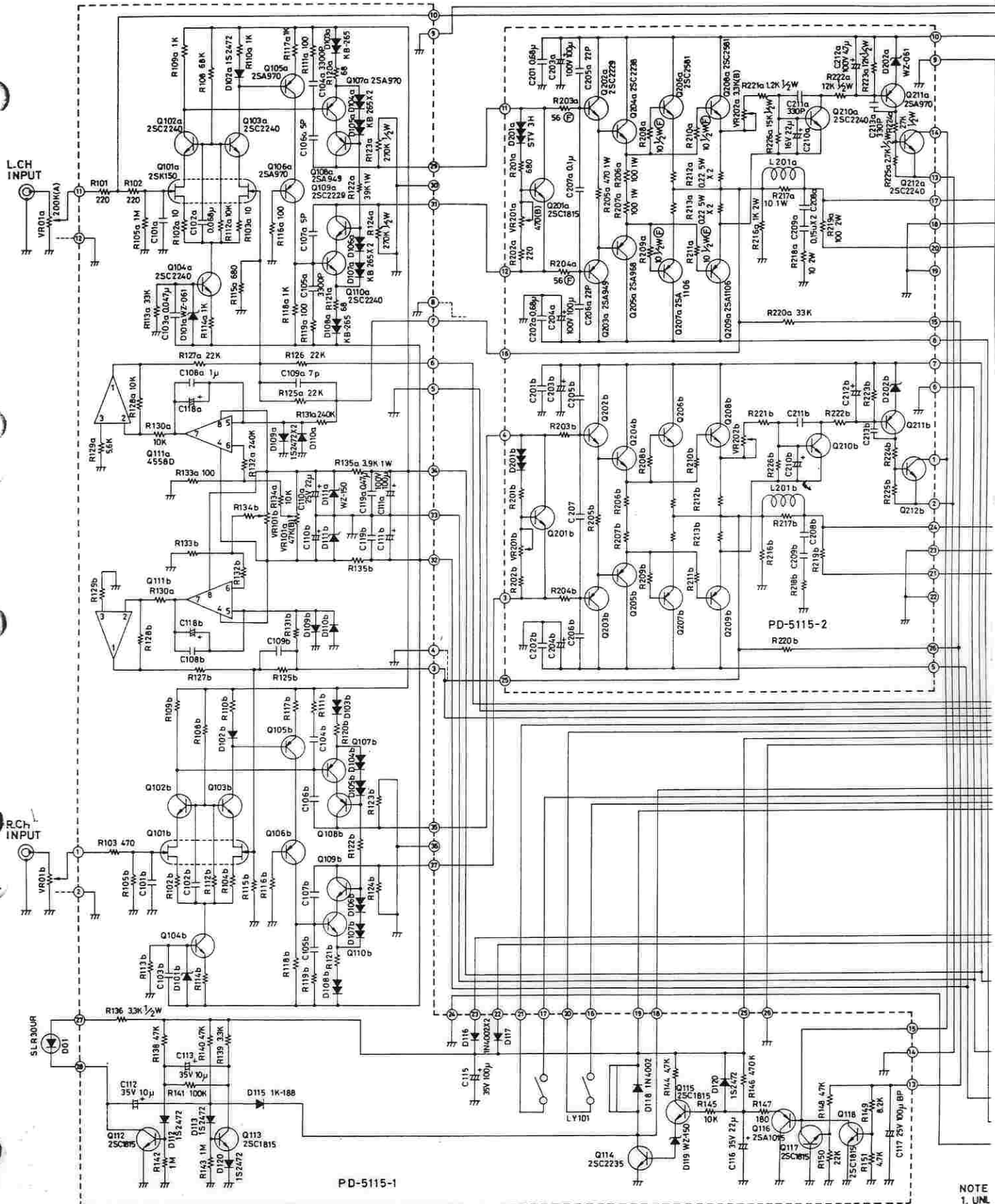
## BLOCK DIAGRAMME



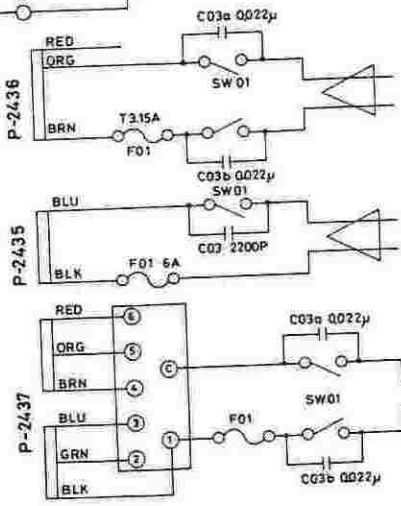
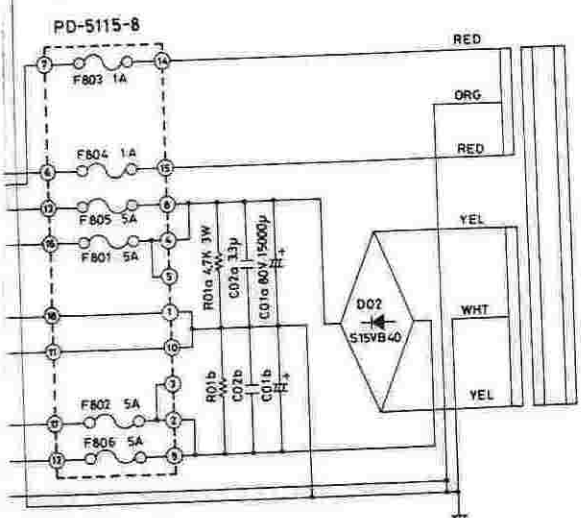
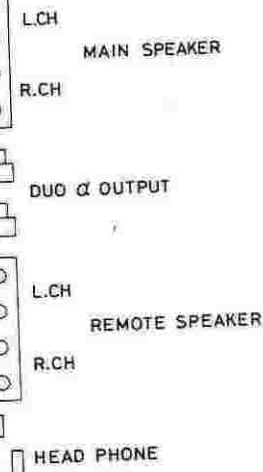
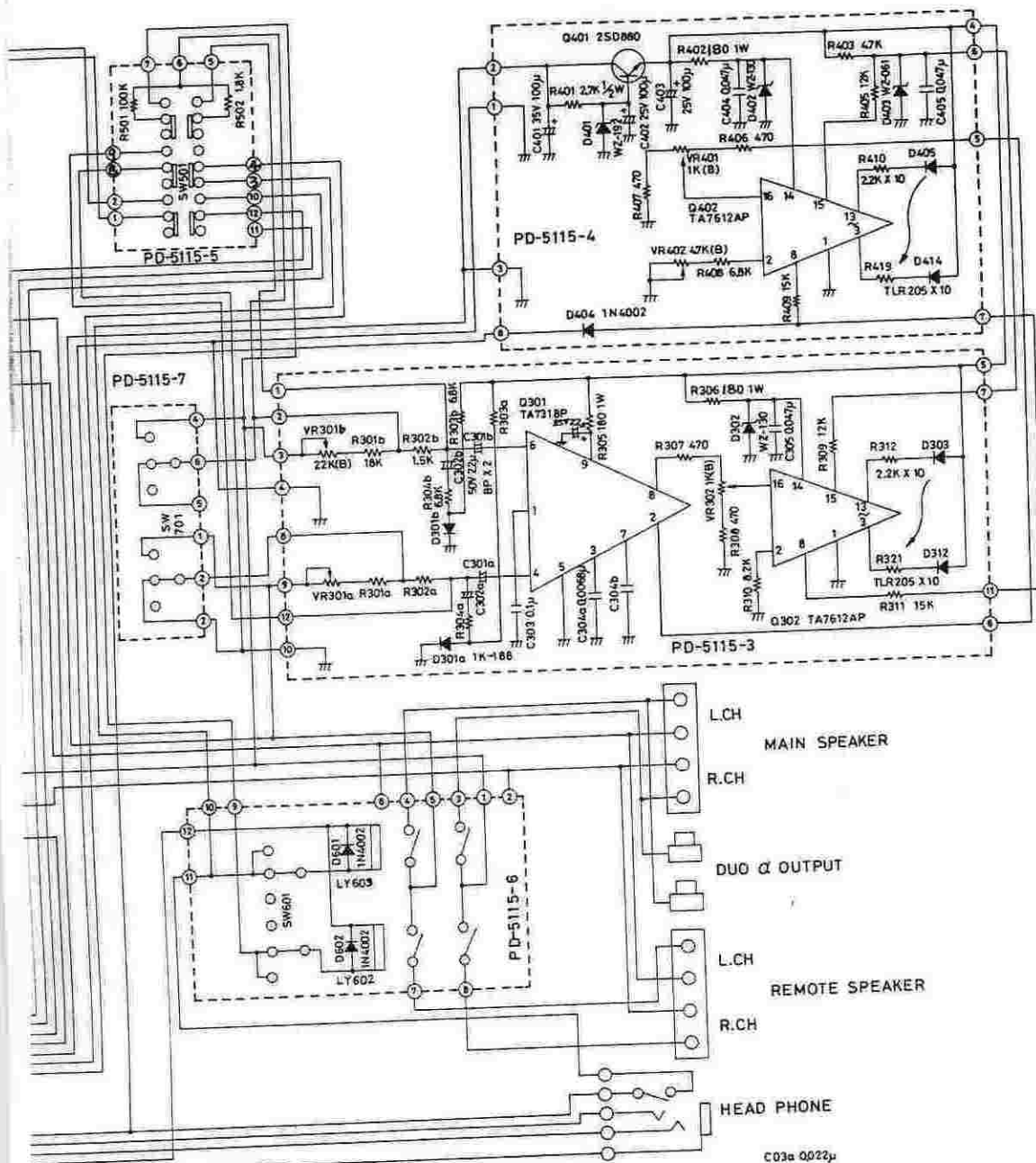
## SPECIFICATIONS

|                              |   |
|------------------------------|---|
| Power Output:                | 120 watts minimum continuous per channel, both channels driven into 8 ohms load, at any frequency from 20Hz to 20,000Hz with no more than 0.015% total harmonic distortion. |
| Duo-Alpha Connection Output: | 300 watts into 8 ohms load with no more than 0.03% total harmonic distortion.   |
| Rated I.M.:                  | no more than 0.01%<br>(8 ohms, 120W/ch, 60Hz : 7kHz = 4 : 1)  |
| Input Sensitivity:           | 900 mV  |
| Input Impedance:             | 160K ohms   |
| Signal-to-Noise Ratio:       | better than 110 dB<br>(IHF-A weighted, input short-circuited)   |
| Frequency Response:          | 10 Hz — 100,000Hz (within -1 dB)  |
| Damping Factor:              | 50  |
| Additional Features:         | Power Indicator, Power Indicator Sensitivity Selector (full, off, 1/100), Speaker Selector, Input Level Set, Headphone Jack, Selector for Duo-Alpha Connection.             |
| Power Consumption:           | 120V 5A<br>480W (120W, 8 ohms load)   |
| Dimensions:                  | 464(W) x 336(D) x 176(H) mm wooden case<br>(18-1/4" x 13-7/32" x 6-15/16")<br>438(W) x 336(D) x 141(H) mm metal cabinet<br>(17-1/4" x 13-7/32" x 5-9/16")                   |
| Weight:                      | Net 13.8 kgs (30.4 lbs.) wooden case<br>Gross 15.3 kgs (33.7 lbs.)<br>Net 14.2 kgs (31.2 lbs.) metal cabinet<br>Gross 15.7 kgs (34.5 lbs.)                                  |

Specifications and appearance design subject to change without notice.



NOTE  
 1. UNL.  
 ALL  
 2. TRA  
 CON  
 3. DUE  
 THE



S-MODEL  
AC 220V (AC240V)  
50Hz

U-MODEL  
AC 120V 60Hz

E-MODEL  
AC 50/60Hz  
F01  
100/120V 6A-125V  
220/240V T315A-250V

SS OTHERWISE SPECIFIED, ALL RESISTORS ARE IN OHM/1/4 WATT.  
CAPACITORS ARE IN FARAD.  
TRANSISTORS AND DIODES MAY BE REPLACED WITH ANY TYPE HAVING  
EQUIVALENT RATING.  
TO CONTINUED IMPROVEMENTS LUX RESERVE THE RIGHT TO ALTER  
CIRCUIT OR SPECIFICATION.

